



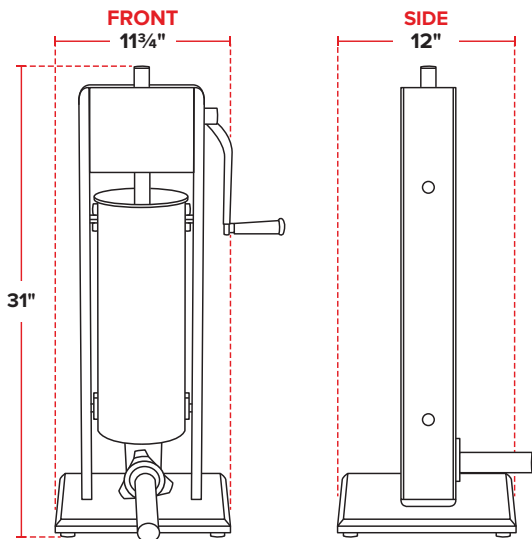
## 15 lb. Vertical Manual Sausage Stuffer

### ITEM NUMBER

#177SS15V

### SPECIAL FEATURES

- 15 lb. stainless steel sausage stuffer with a vertical design that saves counter space
- Type 201 stainless steel sides and a removable type 304 stainless steel tilt out canister for durability and easy cleaning
- Enclosed steel gears turn with 2 speed options, combining with a heavy-duty pressure release valve for ultimate control over sausage consistency
- Large rubber feet and a heavy base help prevent rocking during use
- Includes 13, 20, 30, and 40mm stainless steel funnels so you can make a variety of snack sticks, sausage, and luncheon meats



### TECHNICAL DATA

<b>Dimensions</b>	11 3/4" x 12" x 31"
<b>Capacity</b>	15 lb.
<b>Power Type</b>	Manual
<b>Type</b>	Vertical Sausage Stuffers
<b>Usage</b>	Heavy Duty